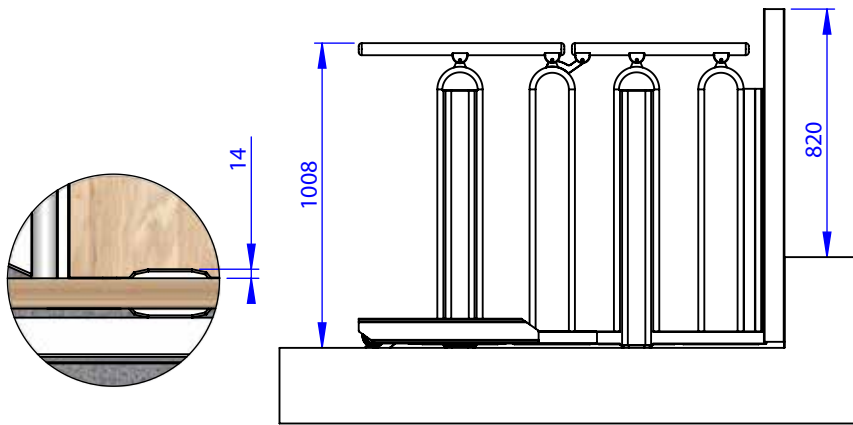
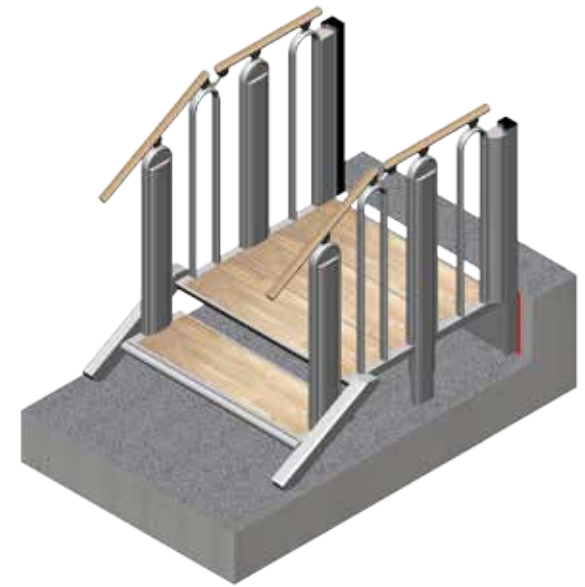
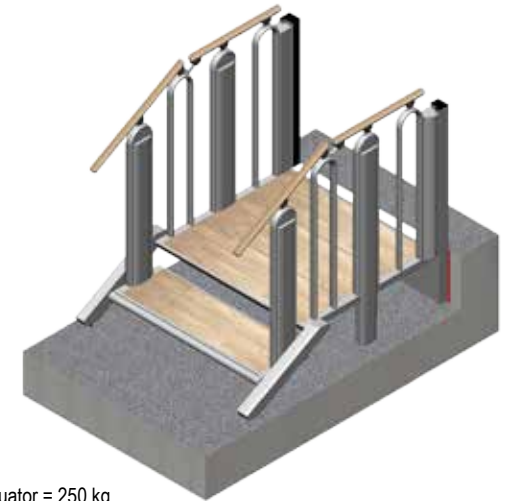
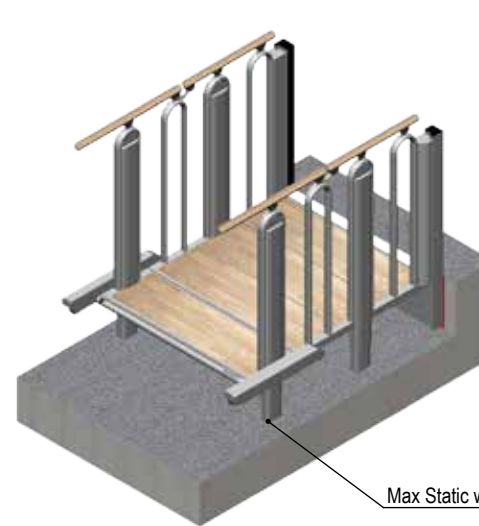
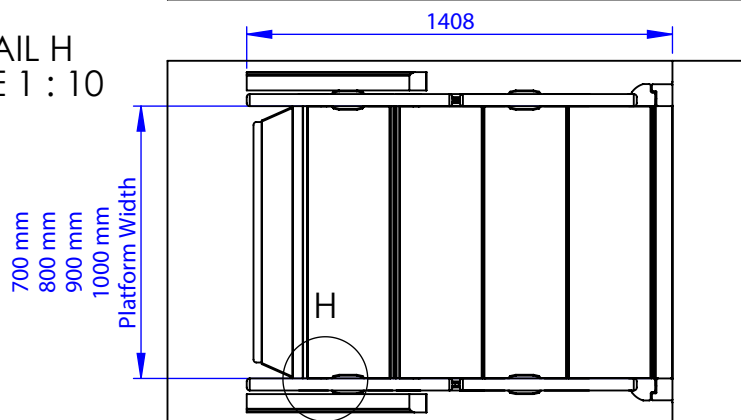




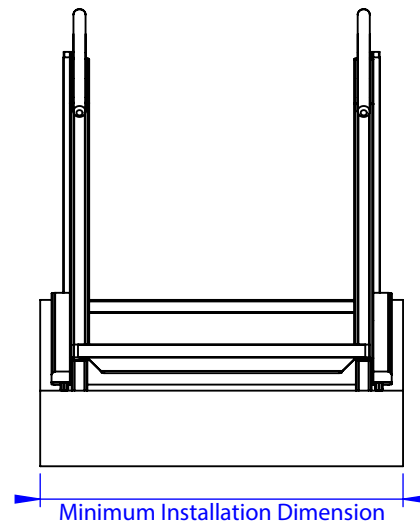
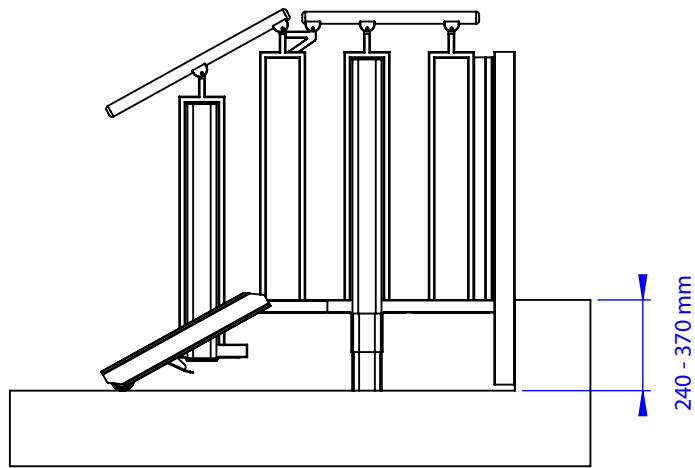
- 1000 mm (model 700 mm)
- 1100 mm (model 800 mm)
- 1200 mm (model 900 mm)
- 1300 mm (model 1000 mm)



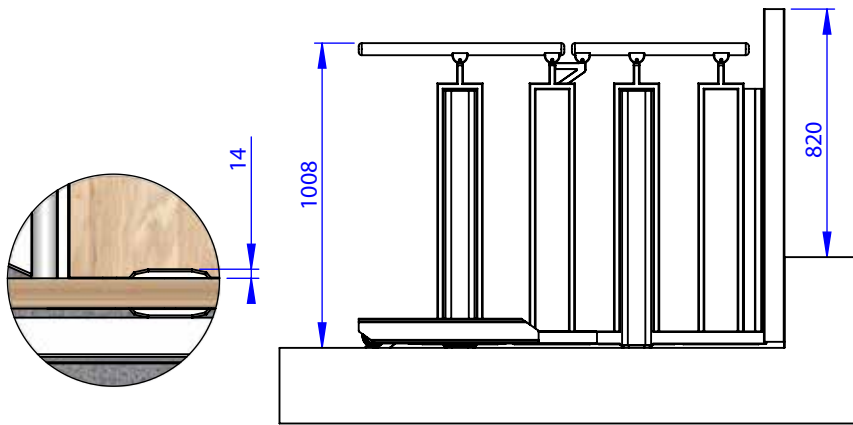
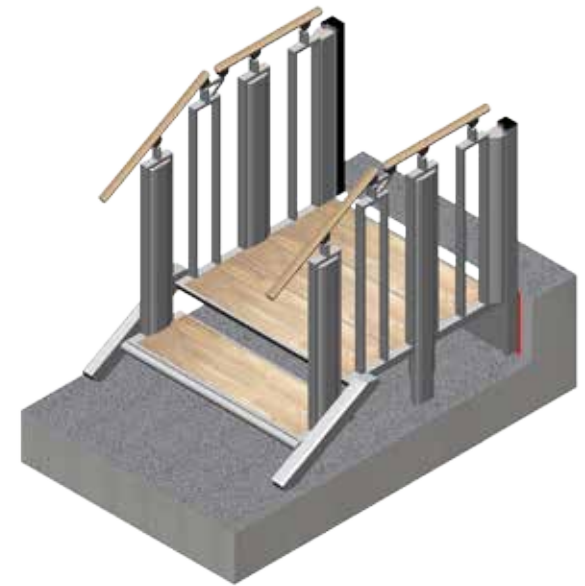
DETAIL H  
SCALE 1 : 10



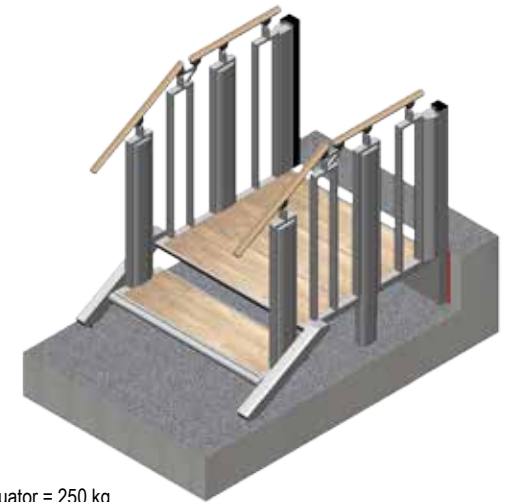
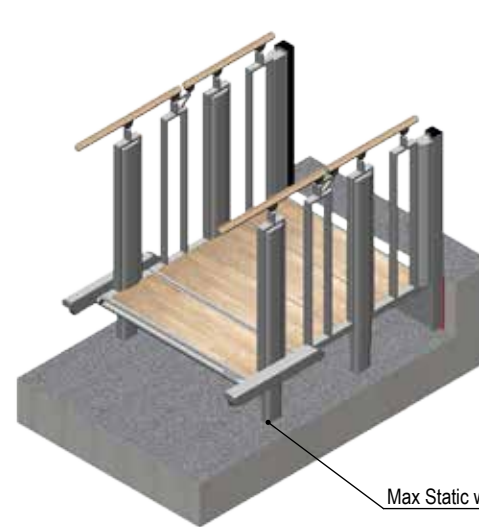
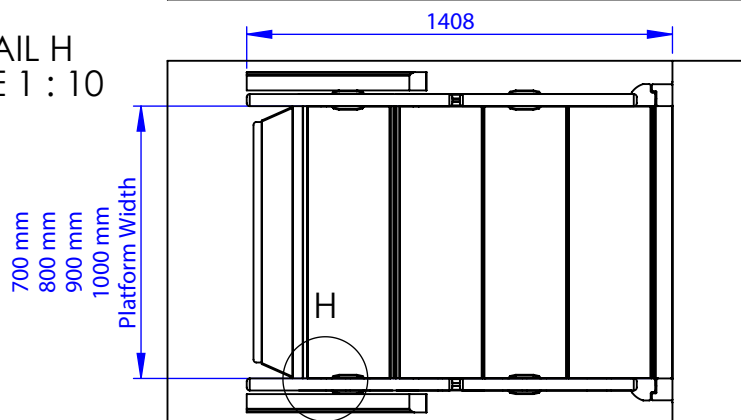
|                          |                                |        |   |   |
|--------------------------|--------------------------------|--------|---|---|
| Distributor :            |                                | Liftup |   | <br>Liftup Order Number :<br>0 |
| Customer Ref :           |                                |        |   |   |
| Customer Name :          |                                |        |   |   |
| Model :                  | FLEXSTEP V2 2+2 STEPS          | A4     |  |   |
| Lifting Capacity: 400 kg | All Rights reserved Liftup A/S |        | Scale: 1:25   | 23-03-2018  |





Minimum Installation Dimension  
 1000 mm (model 700 mm)  
 1100 mm (model 800 mm)  
 1200 mm (model 900 mm)  
 1300 mm (model 1000 mm)



DETAIL H  
 SCALE 1 : 10



Max Static weight / Actuator = 250 kg

|                          |                                |        |   |   |
|--------------------------|--------------------------------|--------|---|---|
| Distributor :            |                                | Liftup |   | <br>Liftup Order Number :<br>0 |
| Customer Ref :           |                                |        |   |   |
| Customer Name :          |                                |        |   |   |
| Model :                  | FLEXSTEP V2 2+2 STEPS          | A4     |  |   |
| Lifting Capacity: 400 kg | All Rights reserved Liftup A/S |        | Scale: 1:25   | 23-03-2018  |